

Data sheet

Commercial Art.No.: 02.125.4429.8

female contact D 1,6- 1,5 QMM

Female contact, turned Ø 1,6 mm, 1,5 mm², AWG 16, Ag



Commercial Art.No.	02.125.4429.8
EAN	4015573450714
Order Unit	100

certificates / approvals



Technical data

general

wire strip length	8 mm
min. conductor cross section flexible wire	1.5 mm ²
max. conductor cross section flexible wire	1.5 mm ²
min. UL/CSA wire diameter flexible wire	16 AWG
max. UL/CSA wire diameter flexible wire	16 AWG
connection type	crimp
material	brass
massive contact	yes
contact pin diameter	1.6 mm
flammability class of insulation material acc. with UL94	other
contact resistance	≤ 5 mOhm

classification

ECLASS 11	
ECLASS 8.1	27440204
ETIM 9.0	EC000796
ETIM 8.0	EC000796
ETIM 7.0	EC000796
ETIM 6.0	EC000796
ETIM 5.0	EC000796
ETIM 4.0	EC000796

product compliance

ROHS conformity status	compliant/exempted
ROHS exceptions	III-6(c)
REACH-SVHC conformity status	Duty-To-Declare
REACH-SVHC substances	Lead
REACH-SVHC CAS numbers	7439-92-1

Accessories

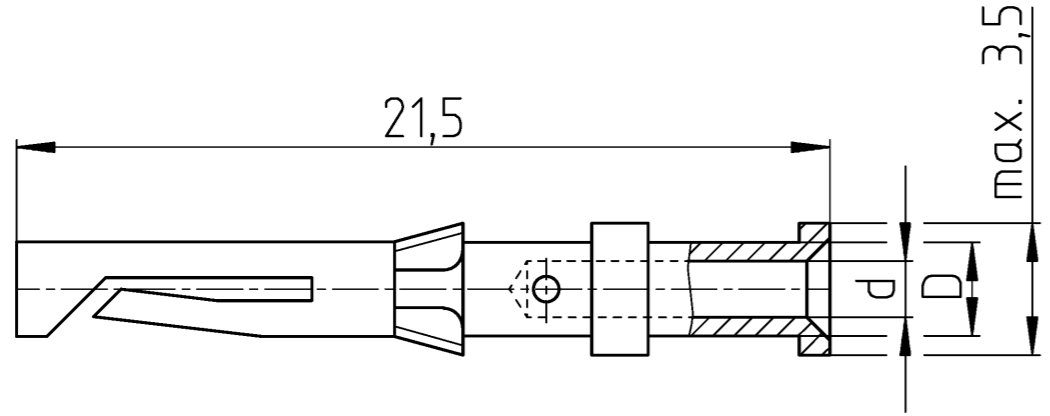
Commercial Art.No.:	Article-type description:	Description:
05.502.2100.0	crimping die B	Crimp dies for revos crimping tool, usable for crimp-contacts with a cross section of 0.14-1.0 mm ² , 1.5 mm ² , 2.5 mm ² and 4.0 mm ²
05.502.3100.0	contact positioner 1	Contact positioner for crimp-contacts with a diameter of 1.6 mm, 2.5 mm and 3.6 mm
95.101.0800.0	basic crimping tool .	Crimping tool kit
05.502.0710.0	extraction tool MOD. 10POL.	Extraction tool for 10 pole revos FLEX module

A
 Weitergabe sowie Vervielfältigung dieses Dokuments, Verwertung und Mitteilung seines Inhalts sind verboten, soweit nicht ausdrücklich gestattet.
 The reproduction, distribution and utilization of this document as well as the communication of its contents to others without express authorization is prohibited.

B
 These dimensions will be especially checked at delivery
 Only inspection dimensions
 With /E marked dimensions are only valid for internal use

C
 Diese Maße werden bei Abnahme besonders geprüft
 Ausschließlich Prüfmaße
 Mit /E gekennzeichnete Maße sind nur für interne Zwecke gültig

D
 Freitoleranz nach
 General tolerance



VPE: 100
 packaging unit: 100

Teilenummer part number	Querschnitt ϕ cross section ϕ	d ϕ	D ϕ	Oberfläche surface
02.125.4529.8	2,5mm ²	2,25	3,2	versilbert/ silver-plated
02.125.4529.7				vergoldet/ gold-plated
02.125.4429.8	1,5mm ²	1,75	3,0	versilbert/ silver-plated
02.125.4429.7				vergoldet/ gold-plated
02.125.4329.8	0,75-1,0mm ²	1,45	2,6	versilbert/ silver-plated
02.125.4329.7				vergoldet/ gold-plated
02.125.4229.8	0,5mm ²	1,1	2,6	versilbert/ silver-plated
02.125.4229.7				vergoldet/ gold-plated
02.125.4129.8	0,14-0,37mm ²	0,9	2,6	versilbert/ silver-plated
02.125.4129.7				vergoldet/ gold-plated

Weitere Daten siehe KATALOG oder eKatalog
 additional data see CATALOG or eCATALOG

www.wieland-electric.com
eshop.wieland-electric.com

Tolerierung Size ISO 14405 © / Tolerance system Size ISO 14405 ©.
 (This ISO-standard describes the envelope principle. According to the envelope principle the deviations of form and parallelism are limited by the size tolerances).

ja/yes Stoffverbots- und Deklarationsliste nach WN 5020.010 ist einzuhalten.
 Conformity with Wieland document WN 5020.010 e (list of prohibited / declarable hazardous substances) to be declared!

Freitoleranz nach General tolerance CAD - Zeichnung, keine manuellen Änderungen CAD - drawing, no manual modifications allowed 1 Verwendung: First Use: Blatt: 1 von 1 Sheet: 1 of 1

	/		Werkstoff / Material	Tag/Date	Name	Zeichnung Nr. / Drawing No.	Index
	/			gezeichnet drawn	20.02.2020		
	/	Maßstab / Scale	5:1	geprüft checked		T 02.125.4129.8 13K	
	/			Normgepr. Stand. check			
	/	Vol.	mm ³	Dfl./Srf.	mm ²	Ersatz für / Replacement for:	
	/			Type	Benennung/Title		
	/			www.wieland-electric.com	REVOS	BUCHSENKONTAKT	
Index	Datum / Blatt Date / Sheet			socket contact			
Änderung / Revision				0,14 - 2,5qmm			